

DAQ

PCI/PXI™ -6703/6704 User Manual

DC Analog Output Devices
for PCI/PXI/CompactPCI Bus Computers

Worldwide Technical Support and Product Information

www.natinst.com

National Instruments Corporate Headquarters

11500 North Mopac Expressway Austin, Texas 78759-3504 USA Tel: 512 794 0100

Worldwide Offices

Australia 03 9879 5166, Austria 0662 45 79 90 0, Belgium 02 757 00 20, Brazil 011 284 5011,
Canada (Ontario) 905 785 0085, Canada (Québec) 514 694 8521, China 0755 3904939, Denmark 45 76 26 00,
Finland 09 725 725 11, France 01 48 14 24 24, Germany 089 741 31 30, Hong Kong 2645 3186,
India 91805275406, Israel 03 6120092, Italy 02 413091, Japan 03 5472 2970, Korea 02 596 7456,
Mexico (D.F.) 5 280 7625, Mexico (Monterrey) 8 357 7695, Netherlands 0348 433466, Norway 32 27 73 00,
Singapore 2265886, Spain (Madrid) 91 640 0085, Spain (Barcelona) 93 582 0251, Sweden 08 587 895 00,
Switzerland 056 200 51 51, Taiwan 02 2377 1200, United Kingdom 01635 523545

For further support information, see the *Technical Support Resources* appendix. To comment on the documentation, send e-mail to techpubs@natinst.com.

© Copyright 1998, 1999 National Instruments Corporation. All rights reserved.

Important Information

Warranty

The PCI-6703, PXI-6703, PCI-6704, and PXI-6704 are warranted against defects in materials and workmanship for a period of one year from the date of shipment, as evidenced by receipts or other documentation. National Instruments will, at its option, repair or replace equipment that proves to be defective during the warranty period. This warranty includes parts and labor.

The media on which you receive National Instruments software are warranted not to fail to execute programming instructions, due to defects in materials and workmanship, for a period of 90 days from date of shipment, as evidenced by receipts or other documentation. National Instruments will, at its option, repair or replace software media that do not execute programming instructions if National Instruments receives notice of such defects during the warranty period. National Instruments does not warrant that the operation of the software shall be uninterrupted or error free.

A Return Material Authorization (RMA) number must be obtained from the factory and clearly marked on the outside of the package before any equipment will be accepted for warranty work. National Instruments will pay the shipping costs of returning to the owner parts which are covered by warranty.

National Instruments believes that the information in this document is accurate. The document has been carefully reviewed for technical accuracy. In the event that technical or typographical errors exist, National Instruments reserves the right to make changes to subsequent editions of this document without prior notice to holders of this edition. The reader should consult National Instruments if errors are suspected. In no event shall National Instruments be liable for any damages arising out of or related to this document or the information contained in it.

EXCEPT AS SPECIFIED HEREIN, NATIONAL INSTRUMENTS MAKES NO WARRANTIES, EXPRESS OR IMPLIED, AND SPECIFICALLY DISCLAIMS ANY WARRANTY OF MERCHANTABILITY OR FITNESS FOR A PARTICULAR PURPOSE. CUSTOMER'S RIGHT TO RECOVER DAMAGES CAUSED BY FAULT OR NEGLIGENCE ON THE PART OF NATIONAL INSTRUMENTS SHALL BE LIMITED TO THE AMOUNT THEREFORE PAID BY THE CUSTOMER. NATIONAL INSTRUMENTS WILL NOT BE LIABLE FOR DAMAGES RESULTING FROM LOSS OF DATA, PROFITS, USE OF PRODUCTS, OR INCIDENTAL OR CONSEQUENTIAL DAMAGES, EVEN IF ADVISED OF THE POSSIBILITY THEREOF. This limitation of the liability of National Instruments will apply regardless of the form of action, whether in contract or tort, including negligence. Any action against National Instruments must be brought within one year after the cause of action accrues. National Instruments shall not be liable for any delay in performance due to causes beyond its reasonable control. The warranty provided herein does not cover damages, defects, malfunctions, or service failures caused by owner's failure to follow the National Instruments installation, operation, or maintenance instructions; owner's modification of the product; owner's abuse, misuse, or negligent acts; and power failure or surges, fire, flood, accident, actions of third parties, or other events outside reasonable control.

Copyright

Under the copyright laws, this publication may not be reproduced or transmitted in any form, electronic or mechanical, including photocopying, recording, storing in an information retrieval system, or translating, in whole or in part, without the prior written consent of National Instruments Corporation.

Trademarks

ComponentWorks™, CVI™, LabVIEW™, natinst.com™, NI-DAQ™, PXI™, RTSI™, SCXI™, and VirtualBench™ are trademarks of National Instruments Corporation.

Product and company names mentioned herein are trademarks or trade names of their respective companies.

WARNING REGARDING MEDICAL AND CLINICAL USE OF NATIONAL INSTRUMENTS PRODUCTS

National Instruments products are not designed with components and testing for a level of reliability suitable for use in or in connection with surgical implants or as critical components in any life support systems whose failure to perform can reasonably be expected to cause significant injury to a human. Applications of National Instruments products involving medical or clinical treatment can create a potential for death or bodily injury caused by product failure, or by errors on the part of the user or application designer. Because each end-user system is customized and differs from National Instruments testing platforms and because a user or application designer may use National Instruments products in combination with other products in a manner not evaluated or contemplated by National Instruments, the user or application designer is ultimately responsible for verifying and validating the suitability of National Instruments products whenever National Instruments products are incorporated in a system or application, including, without limitation, the appropriate design, process and safety level of such system or application.

Conventions

The following conventions are used in this manual:

<>

Angle brackets that contain numbers separated by an ellipsis represent a range of values associated with a bit or signal name—for example, DBIO<3..0>.

◆

The ◆ symbol indicates that the following text applies only to a specific product, a specific operating system, or a specific software version.



This icon denotes a note, which alerts you to important information.



This icon denotes a caution, which advises you of precautions to take to avoid injury, data loss, or a system crash.

bold

Bold text denotes items that you must select or click on in the software, such as menu items and dialog box options. Bold text also denotes parameter names.

italic

Italic text denotes variables, emphasis, a cross reference, or an introduction to a key concept. This font also denotes text that is a placeholder for a word or value that you must supply.

monospace

Text in this font denotes text or characters that you should enter from the keyboard, sections of code, programming examples, and syntax examples. This font is also used for the proper names of disk drives, paths, directories, programs, subprograms, subroutines, device names, functions, operations, variables, filenames and extensions, and code excerpts.

NI-DAQ

NI-DAQ refers to the NI-DAQ driver software.

Abbreviations, acronyms, definitions, metric prefixes, mnemonics, and symbols are listed in the Glossary.

Contents

Chapter 1

Introduction

About the PCI/PXI-6703/6704	1-1
What You Need to Get Started	1-2
Unpacking	1-2
Software Programming Choices	1-3
National Instruments Application Software	1-3
NI-DAQ Driver Software	1-4
Optional Equipment	1-5
Custom Cabling	1-5

Chapter 2

Installation and Configuration

Software Installation	2-1
Hardware Installation	2-1
Device Configuration	2-2

Chapter 3

Signal Connections

I/O Connector Pin Assignments	3-1
Signal Connection Descriptions	3-3
Analog Output Signal Connections	3-4
Voltage Output	3-4
Power-up Condition	3-4
Current Output for the 6704	3-5
Power-up Condition	3-6
Digital I/O Signal Connections	3-6
Power-up Condition	3-7
Power Connections	3-7

Chapter 4

Hardware Overview

Bus Interface Circuitry	4-2
I/O Connector	4-2
Nonvolatile RAM/DAC Control	4-2
Digital I/O Control	4-2
Temperature Sensor	4-2

Chapter 5 Calibration

Self-Calibration	5-1
External Calibration.....	5-1
Voltage Output Calibration	5-3
Offset Adjustment	5-3
Gain Adjustment	5-3
Current Output Calibration for the 6704	5-3
Offset Adjustment	5-3
Gain Adjustment	5-4
Saving Calibration Values	5-4

Appendix A Specifications

Appendix B Common Questions

Appendix C Technical Support Resources

Glossary

Index

Figures

Figure 1-1. The Relationship between the Programming Environment, NI-DAQ, and Your Hardware.....	1-4
Figure 3-1. I/O Connector Pin Assignments.....	3-2
Figure 3-2. VCH Connection as a Voltage Output.....	3-4
Figure 3-3. ICH Connection as a Current Output.....	3-5
Figure 3-4. Example Digital I/O Connections	3-6
Figure 4-1. PCI/PXI-6703/6704 Block Diagram.....	4-1

Tables

Table 5-1. 6703 Calibration Channel Numbers.....	5-2
Table 5-2. 6704 Calibration Channel Numbers.....	5-2

Introduction

This manual describes the mechanical and electrical aspects of the 6703 and 6704 devices and contains information concerning their configuration, installation, and operation. The 6703 and 6704 devices are designed for precise DC setpoint applications and provide general-purpose digital I/O. Unless otherwise noted, text applies to all 6703 and 6704 devices: the PCI-6703, PXI-6703, PCI-6704 and PXI-6704.

This chapter describes the 6703/6704 devices, lists what you need to get started, describes software programming choices, optional equipment, and custom cables, and explains how to unpack your device.

About the PCI/PXI-6703/6704

Thank you for purchasing a National Instruments 6703/6704 device. The 6703/6704 devices are precise DC setpoint devices for PCI and PXI. The 6703 devices have 16 voltage output channels. The 6704 devices have 16 voltage output channels and 16 current output channels for a total of 32 analog output channels. Both 6703 and 6704 devices have eight digital I/O lines.

You can use the 6703/6704 devices in a wide variety of DC setpoint and digital I/O applications. With the 6703/6704 devices, your PC system can serve as a digital I/O system controller for laboratory testing, production testing, and industrial process monitoring and control. These devices can do the following:

- Generate experimental stimuli
- Generate analog functions
- Connect to a variety of signal types, including:
 - Electromechanical relays
 - LEDs
 - Optically isolated, solid-state relays and I/O module mounting racks
 - Voltage and current excitation for precision transducers
 - Current excitation for precision transducers (6704 only)

Detailed specifications for the 6703/6704 devices are in Appendix A, [Specifications](#).

What You Need to Get Started

To set up and use your 6703/6704 device, you will need the following:

- One of the following devices:
 - PCI-6703
 - PXI-6703
 - PCI-6704
 - PXI-6704
- [PCI/PXI-6703/6704 User Manual](#)
- One of the following software packages and documentation:
 - ComponentWorks
 - LabVIEW for Windows
 - LabWindows/CVI for Windows
 - Measure
 - NI-DAQ for PC compatibles
 - VirtualBench
- PC with a free PCI slot or PXI chassis with a free slot
- 68-pin cable (type SH68-68-D1)
- 68-pin terminal block (type CB-68)

Unpacking

Your 6703/6704 device is shipped in an antistatic package to prevent electrostatic damage to the device. Electrostatic discharge can damage several components on the device. To avoid such damage in handling the device, take the following precautions:

- Ground yourself via a grounding strap or by holding a grounded object.
- Touch the antistatic package to a metal part of your PC chassis before removing the device from the package.

- Remove the device from the package and inspect the device for loose components or any other sign of damage. Notify National Instruments if the device appears damaged in any way. *Do not* install a damaged device into your computer.
- *Never* touch the exposed pins of connectors.

Software Programming Choices

There are several options to choose from when programming your National Instruments DAQ hardware. You can use LabVIEW, LabWindows/CVI, ComponentWorks, VirtualBench, or other application development environments in conjunction with NI-DAQ.

National Instruments Application Software

ComponentWorks contains tools for data acquisition and instrument control built on NI-DAQ driver software. ComponentWorks provides a higher-level programming interface for building virtual instruments through standard OLE controls and DLLs. With ComponentWorks, you can use all of the configuration tools, resource management utilities, and interactive control utilities included with NI-DAQ.

LabVIEW features interactive graphics, a state-of-the-art user interface, and a powerful graphical programming language. The LabVIEW Data Acquisition VI Library, a series of VIs for using LabVIEW with National Instruments DAQ hardware, is included with LabVIEW. The LabVIEW Data Acquisition VI Library is functionally equivalent to the NI-DAQ software.

LabWindows/CVI features interactive graphics, a state-of-the-art user interface, and uses the ANSI standard C programming language. The LabWindows/CVI Data Acquisition Library, a series of functions for using LabWindows/CVI with National Instruments DAQ hardware, is included with the NI-DAQ software kit. The LabWindows/CVI Data Acquisition Library is functionally equivalent to the NI-DAQ software.

VirtualBench features VIs that combine DAQ products, software, and your computer to create a standalone instrument with the added benefit of the processing, display, and storage capabilities of your computer. VirtualBench instruments load and save waveform data to disk in the same forms that can be used in popular spreadsheet programs and word processors.

Using ComponentWorks, LabVIEW, LabWindows/CVI, or VirtualBench software will greatly reduce the development time for your data acquisition and control application.

NI-DAQ Driver Software

The NI-DAQ driver software is included at no charge with all National Instruments DAQ hardware. NI-DAQ is not packaged with accessory products. NI-DAQ has an extensive library of functions that you can call from your application programming environment. These functions include routines for analog input (A/D conversion), buffered data acquisition (high-speed A/D conversion), analog output (D/A conversion), waveform generation, digital I/O, counter/timer operations, SCXI, RTSI, self-calibration, messaging, and acquiring data to extended memory.

NI-DAQ maintains a consistent software interface among its different versions so that you can change platforms with minimal modifications to your code. Whether you are using conventional programming languages or National Instruments application software, your application uses the NI-DAQ driver software, as illustrated in Figure 1-1.

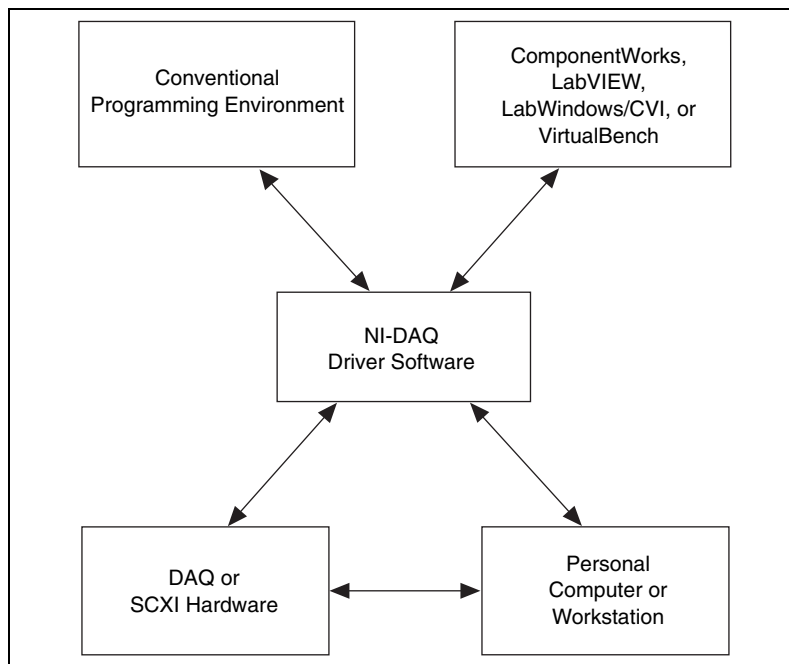


Figure 1-1. The Relationship between the Programming Environment, NI-DAQ, and Your Hardware

Optional Equipment

National Instruments offers a variety of products to use with your 6703/6704 device, including cables, connector blocks, and other accessories, as follows:

- Cables and cable assemblies, shielded and ribbon
- Connector blocks, shielded and unshielded screw terminals

For more information about these products, refer to the National Instruments catalogue or website or call the office nearest you.

Custom Cabling

National Instruments offers cables and accessories for you to prototype your application or to use if you frequently change module interconnections.

If you want to develop your own cable, mating connectors and a backshell kit for making custom 68-pin cables are available from National Instruments (part number 776832-01).

Refer to your National Instruments catalogue for specific information.

Installation and Configuration

This chapter explains how to install and configure your 6703/6704 device.

Software Installation

Install your software before you install your 6703/6704 device. Refer to the appropriate release notes indicated below for specific instructions on the software installation sequence.

1. Install your application software—If you are using LabVIEW, LabWindows/CVI, or other National Instruments application software packages, refer to the appropriate release notes.
2. Install the NI-DAQ driver software—Refer to your NI-DAQ release notes and follow the instructions given there for your operating system and application software package.

You can now install your hardware.

Hardware Installation

You can install your 6703/6704 device in any available expansion slot in your computer. However, to achieve best noise performance, leave as much room as possible between your 6703/6704 device and other boards and hardware. The following are general installation instructions, but consult your computer user manual or technical reference manual for specific instructions and warnings.

- ◆ PCI-6703/6704
 1. Turn off and unplug your computer.
 2. Remove the top cover or access port to the I/O channel.
 3. Remove the expansion slot cover on the back panel of the computer.
 4. Touch any metal part of your computer chassis to discharge any static electricity that might be on your clothes or body.
 5. Insert the PCI-6703/6704 into a 5 V PCI slot. Gently rock the device to ease it into place. *Do not force* the device into place.

6. Screw the mounting bracket of the PCI-6703/6704 device to the back panel rail of the computer.
7. Visually verify the installation.
8. Replace the cover.
9. Plug in and turn on your computer.

Your PCI-6703/6704 is installed. You are now ready to configure your hardware and software.

◆ PXI-6703/6704

1. Turn off and unplug your PXI controller.
2. Choose an unused PXI slot in your system.
3. Remove the filler panel for the slot you have chosen.
4. Touch any metal part of your computer chassis to discharge any static electricity that might be on your clothes or body.
5. Insert the PXI-6703/6704 into a PXI chassis slot. Use the injector/ejector handle to fully insert the device into the chassis.
6. Screw the front panel of the PXI-6703/6704 to the front panel mounting rail of the system.
7. Visually verify the installation.
8. Plug in and turn on your computer.

Your PXI-6703/6704 is installed. You are now ready to configure your hardware and software.

Device Configuration

Due to the National Instruments standard architecture for data acquisition and the PCI and PXI bus specifications, all 6703 and 6704 devices are completely software-configurable. Refer to your software documentation for configuration instructions.

The PCI-6703/6704 are fully compatible with the industry-standard *PCI Local Bus Specification Revision 2.0*, and the PXI-6703/6704 are fully compatible with the *PXI Specification Revision 1.0*. These specifications allow the PCI and PXI systems to automatically perform all bus-related configurations and require no user interaction. Bus-related configuration includes setting the device base memory address and interrupt channel.

Signal Connections

This chapter provides connection instructions for the signals on your 6703/6704 device I/O connector.



Warning Connections that exceed any of the maximum ratings of input or output signals on the 6703/6704 device can damage the device and the computer. Maximum input ratings for each signal are given in this chapter under the discussion of that signal. National Instruments is NOT liable for any damages resulting from any incorrect signal connections.

I/O Connector Pin Assignments

Figure 3-1 shows the I/O connector pin assignments for the 6703/6704 devices.

+5V	1	35	DGND
DIO0	2	36	DGND
DIO1	3	37	DGND
DIO2	4	38	RFU
DIO3	5	39	DGND
DIO4	6	40	RFU
DIO5	7	41	DGND
DIO6	8	42	DGND
DIO7	9	43	AGND
ICH31*	10	44	VCH15
AGND15/AGND31	11	45	ICH30*
VCH14	12	46	AGND14/AGND30
ICH29*	13	47	VCH13
AGND13/AGND29	14	48	ICH28*
VCH12	15	49	AGND12/AGND28
ICH27*	16	50	AGND11/AGND27
VCH11	17	51	ICH26*
AGND10/AGND26	18	52	VCH10
AGND	19	53	ICH25*
AGND9/AGND25	20	54	VCH9
ICH24*	21	55	AGND8/AGND24
VCH8	22	56	AGND
ICH23*	23	57	VCH7
AGND7/AGND23	24	58	ICH22*
VCH6	25	59	AGND6/AGND22
ICH21*	26	60	VCH5
AGND5/AGND21	27	61	ICH20*
VCH4	28	62	AGND4/AGND20
ICH19*	29	63	VCH3
AGND3/AGND19	30	64	ICH18*
VCH2	31	65	AGND2/AGND18
ICH17*	32	66	VCH1
AGND1/AGND17	33	67	ICH16*
VCH0	34	68	AGND0/AGND16

* No connects on the PCI/PXI 6703

Figure 3-1. I/O Connector Pin Assignments

Signal Connection Descriptions

Pin	Signal Name	Description
<2..9>	DIO<0..7>	Digital Input/Output lines—Line 7 is the MSB and Line 0 is the LSB.
<35..37>, 39, 41, 42	DGND	Digital Ground—These pins are connected to the 6703/6704 device digital ground plane. All 6703/6704 device ground planes connect to the computer system's ground signal.
1	+5V	+5 V—This pin is connected to the computer system's +5 VDC supply through a self-resetting circuit breaker.
38, 40	RFU	Reserved for future use.
34, 66, 31, 63, 28, 60, 25, 57, 22, 54, 52, 17, 15, 47, 12, 44	VCH<0..15>	Voltage output channels.
67, 32, 64, 29, 61, 26, 58, 23, 21, 53, 51, 16, 48, 13, 45, 10	ICH<16..31>	Current output channels on the 6704. No connects on the 6703.
68, 33, 65, 30, 62, 27, 59, 24, 55, 20, 18, 50, 49, 14, 46, 11	AGND<0/16..15/31>	Analog Grounds—Each ground pin is shared between one voltage and one current channel. These pins are connected to the 6703/6704 device analog ground plane. All 6703/6704 device ground planes connect to the computer system's ground signal.
19, 43, 56	AGND	Additional pins connected to analog ground.

Analog Output Signal Connections

This section describes how to make connections for voltage and current outputs. The 6704 has both voltage and current outputs, however, the 6703 has voltage outputs only. A 68-pin cable such as the SH68-68-D1 cable is required. Figure 3-2 shows how to connect the voltage channel (VCH) outputs.

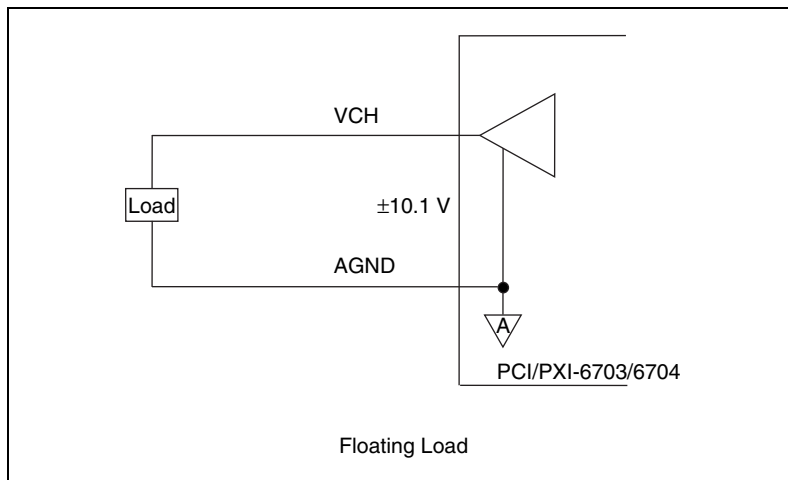


Figure 3-2. VCH Connection as a Voltage Output

Voltage Output

You can connect a floating load to your 6703/6704 device at the voltage output channel.



Warning Because 6703/6704 devices are not electrically isolated from high voltages, a load with high common-mode voltages can damage the devices. National Instruments is NOT liable for any damages resulting from any such signal connections.

Your 6703/6704 device has a bipolar voltage range of -10.1 to $+10.1 \text{ V}$. Maximum load current is $\pm 10 \text{ mA}$ for 16-bit linearity.

Power-up Condition

All voltage outputs are at their user-defined values to full accuracy within 1 s of power-up board reset. Before this time, the voltage outputs can float to unspecified values. Take this behavior into account when connecting external devices to the 6703/6704.

Current Output for the 6704

You can connect a floating or grounded load to your 6704 device at the current output channel. You do not need an external floating power supply to complete the controlled current loop. You can control the current loop from 0.1 to 20.2 mA. The compliance for the current loop is 0 V to 10 VDC.



Warning Because 6704 devices are not electrically isolated from high voltages, a load with high common-mode voltages can damage the 6704 devices. National Instruments is NOT liable for any damages resulting from any such signal connections.

Figure 3-3 shows how to connect a current channel (ICH) as a current output.

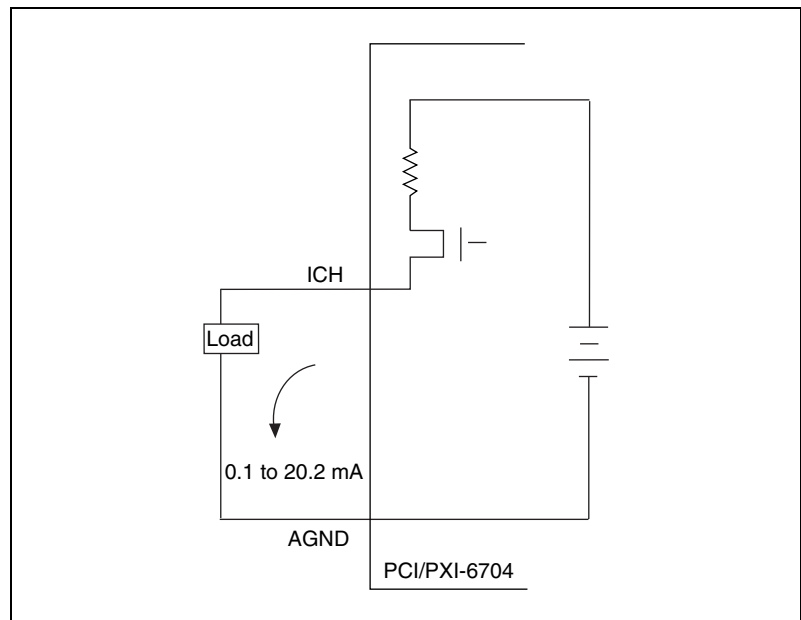


Figure 3-3. ICH Connection as a Current Output

Because each current channel shares a ground line with a voltage channel, you should try to minimize the effect of the return current from your current channel on the voltage that you are outputting on your voltage channel. For example, if you output 20 mA on a current channel and return that current to the 6704 device along the shared ground line in a cable with an impedance of 0.1 Ω , you will see a 2 mV drop in the voltage output by the

voltage channel sharing the ground line. You can approach this problem in the following ways:

- Use a shorter cable to minimize the impedance of the shared ground line.
- Use separate wiring for VCH and ICH ground return to minimize common ground impedance.
- Use different pairs of voltage and current channels to keep your sensitive voltage outputs separate from your higher output current channels.

Power-up Condition

All current outputs are within ± 1.1 mA maximum of their user-defined values within 0.5 s of power-up board reset. The current outputs will settle to their user-defined values to full accuracy within 7 s of power-up board reset. Take this behavior into account when connecting external devices to the 6704.

Digital I/O Signal Connections

Figure 3-4 illustrates example signal connections for three typical digital I/O applications.

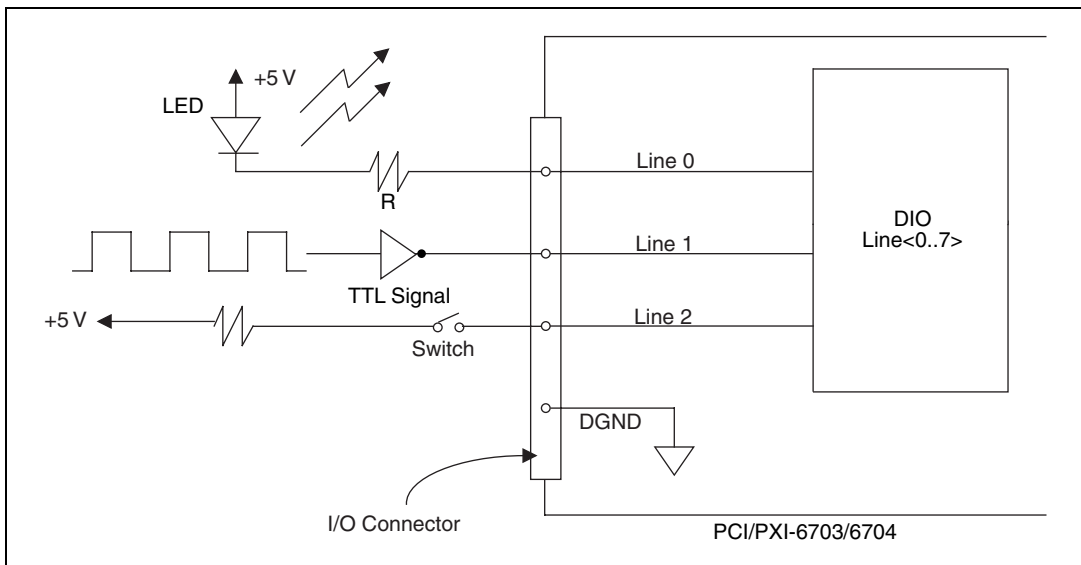


Figure 3-4. Example Digital I/O Connections

In Figure 3-4, line 0 is configured for digital output; lines 1 and 2 are configured for digital input.

Digital input applications include receiving TTL signals and sensing external device states such as the switch in Figure 3-4. Digital output applications include sending TTL signals and driving external devices such as the LED shown in Figure 3-4.



Note The 6703/6704 devices allow line-by-line direction control of digital I/O connections.

Refer to Appendix A, *Specifications*, for a list of the digital I/O signal ratings.

Power-up Condition

At power up, all of the DIO lines on the 6703/6704 devices are configured as input lines.

Power Connections

Pin 1 on the I/O connector is connected to the +5 V supply from the PCI or PXI bus power supply. This pin is referenced to DGND and can supply power to external circuitry. The +5 V supply has a total of 0.75 A available.

The +5 V power supply has a self-resetting protection circuit breaker in series. If the circuit breaker protection is activated, simply remove the circuit causing the heavy current load and the circuit breaker will reset itself. For more information on these output pins, see the *Digital I/O* and *Power Requirement* sections in Appendix A, *Specifications*.

Power rating	0.75 A at +5 V $\pm 10\%$, +4.55 to +5.25 VDC at 0.75 A
--------------	--



Warning Under no circumstances should you connect these +5 V power pins directly to ground or to any other voltage source on your 6703/6704 device or any other device. Doing so can damage your device and your computer system. National Instruments is NOT liable for damage resulting from such a connection.

Hardware Overview

This chapter contains a functional overview of the 6703/6704 devices and explains the operation of each functional unit making up the devices.

The block diagram in Figure 4-1 illustrates the key functional components of the 6703/6704 devices.

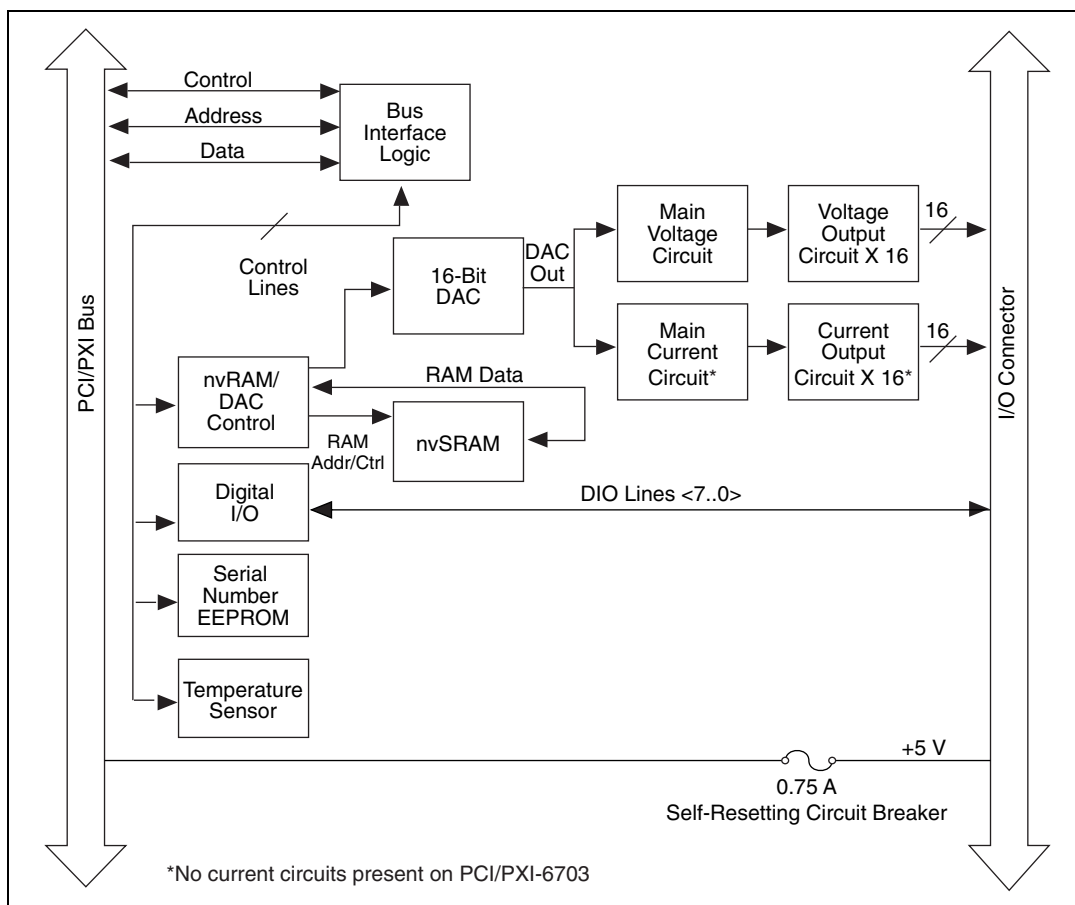


Figure 4-1. PCI/PXI-6703/6704 Block Diagram

Bus Interface Circuitry

The bus interface circuitry monitors the PCI or PXI bus. If the bus address matches the 6703/6704 device's address, the board is enabled and the corresponding register on the 6703/6704 is accessed.

I/O Connector

All user I/O is transmitted through a 68-pin connector. Refer to the [Custom Cabling](#) section in Chapter 1, [Introduction](#), and to Chapter 3, [Signal Connections](#), for additional information.

Nonvolatile RAM/DAC Control

The 6703/6704 devices have one 16-bit DAC that is time-division multiplexed to create all the output channels. Each channel has a track-and-hold circuit to maintain the channel value between DAC updates. On the 6703, the DAC is multiplexed to create 16 voltage outputs and two calibration channels. On the 6704, the DAC is multiplexed to create 16 voltage outputs, 16 current outputs, and four calibration channels.

Data is stored in a nonvolatile RAM (nvRAM). The nvRAM/DAC control reads the DAC channel data stored in the nvRAM and updates the DAC periodically. The nvRAM/DAC control also controls the analog demultiplexing circuits to route the DAC output to the correct analog output channel. You can choose to save nvRAM data so that the current output values will become the power-on states.

Digital I/O Control

The 6703/6704 devices have eight digital I/O lines configured as one 8-bit port. You can configure each line independently as an input or output. The DIO lines have 16 mA of sink capability and 16 mA of source capability. All digital lines are TTL compatible. At power up, all digital lines are configured as inputs.

Temperature Sensor

The onboard temperature sensor measures the air temperature flowing over the board. This sensor is positioned near the onboard precision voltage reference, which can be affected by extreme temperatures. This sensor has a serial digital interface.

Calibration

This chapter discusses the calibration procedures for your 6703/6704 device. Calibration is the process of minimizing output errors by making small circuit adjustments. There are two calibration channels used to make adjustments to the voltage channels on the 6703/6704. On the 6704, there are two additional channels used to make adjustments to the current channels.

Self-Calibration

The 6703/6704 devices perform continuous self-calibration. In addition to the accessible analog output channels, there are internal calibration channels that get scanned and refreshed along with all the output channels. There are two of these calibration channels for the voltage outputs: the voltage offset channel and the voltage gain channel.

There are also two calibration channels for the current outputs on the 6704: the current offset channel and the current gain channel. The outputs of these calibration channels are continuously compared to onboard references, and the 16-bit DAC offset and gain are adjusted to minimize the errors in the calibration channels. Since 6703/6704 devices have excellent channel-to-channel matching of offset and gain errors, minimizing the errors in the calibration channels also minimizes the errors for all the voltage and current outputs.

External Calibration

Because of the nature of the 6703/6704 device calibration circuitry, the only calibration adjustment you must make is to adjust the values of the calibration channels to account for time- or temperature-related drift of the onboard reference. These calibration values are loaded into nvRAM at factory calibration, and you should not need to adjust them for at least one year after the date of factory calibration, unless you are operating your device at an extreme temperature.

To perform calibration, you need a voltage and current measuring device that is much more accurate than your 6703/6704 device. A DMM with an

accuracy of at least 10 ppm will generally suffice, but be sure to check its specifications. Also, be sure that no other devices are connected to your 6703/6704 when you calibrate it to ensure that no ground loops can corrupt the calibration.

Your 6703/6704 device contains a calibration enable bit in a control register to prevent you from accidentally writing to the calibration channels. Before you can calibrate the board, you must set this bit. If you are using NI-DAQ, calibration is enabled by calling the NI-DAQ function

`Set_DAQ_Device_Info` (**deviceNumber**, **infoType**, **infoValue**) with **infoType** equal to `ND_CALIBRATION_ENABLE` and **infoValue** equal to `ND_YES`. You may then write to the calibration channels by calling `AO_VWrite` (**deviceNumber**, **chan**, **voltage**) where **chan** is the calibration channel number, and **voltage** is the channel value to be written.

Table 5-1 lists the channel numbers of the calibration channels for the 6703.

Table 5-1. 6703 Calibration Channel Numbers

Calibration Channel	Channel Number
Voltage offset	Channel 16
Voltage gain	Channel 17

Table 5-2 lists the channel numbers of the calibration channels for the 6704.

Table 5-2. 6704 Calibration Channel Numbers

Calibration Channel	Channel Number
Voltage offset	Channel 32
Voltage gain	Channel 34
Current offset	Channel 33
Current gain	Channel 35

Voltage Output Calibration

There are two adjustments to make for the voltage outputs: offset and gain. You should perform offset adjustment first. It is a good idea to calibrate twice, because a large change in the voltage gain channel value could impact the accuracy of the offset calibration.

Offset Adjustment

To calibrate the offset, set one of the voltage output channels to 0 V and measure it with a precise voltmeter. Then, change the voltage offset channel value until the output is zero. The voltage you write to the voltage offset channel will be close to zero, and increasing it will lower the voltage you measure.

Gain Adjustment

To calibrate the gain, set the voltage output channel to a voltage near full-scale, such as +10 V. Then, change the voltage gain channel value until the output that you measure is as close as possible to the voltage that you wrote to the output channel. The voltage you write to the voltage gain channel will be close to +10 V, and increasing it will lower the magnitude of the voltage you measure.

You can also calibrate using several output channels, instead of just one, by averaging channels together. Do this by writing the values to all the channels you wish to average and using a resistive averaging circuit to average the outputs. This will reduce the sensitivity of the calibration process to interchannel mismatch—the slight differences in the output characteristics of the channels—by averaging out these differences.

Current Output Calibration for the 6704

There are two adjustments to make for the current outputs: offset and gain. You should perform offset adjustment first. It is a good idea to calibrate twice, because a large change in the current gain channel value could impact the accuracy of the offset calibration.

Offset Adjustment

To calibrate the offset, set one of the current output channels to 100 μ A and measure it with a precise ammeter. Then, change the current offset channel value until the output is as close as possible to 100 μ A. The current you

write to the current offset channel will be close to 10 μ A, and increasing it will lower the current you measure.

Gain Adjustment

To calibrate the gain, set the current output channel to a current near full-scale, such as 20 mA. Then, change the current gain channel value until the output that you measure is as close as possible to the current that you wrote to the output channel. The current you write to the current gain channel will be close to 19.608 mA, and increasing it will lower the current you measure.

You can also calibrate using several output channels instead of just one by adding channels together. Do this by writing the values to all the channels you wish to add and summing the outputs by connecting them together. This will reduce the sensitivity of the calibration process to interchannel mismatch—the slight differences in the output characteristics of the channels by averaging out these differences.

Saving Calibration Values

When you have finished calibration, you will want to write your calibration values into nvRAM. This will ensure that your new calibration values are permanently saved and automatically loaded when the card is powered-on. Calibration values are saved and restored through the `AO_Calibrate` (**deviceNumber**, **operation**, **EEPROMloc**) function call in NI-DAQ. To save your calibration values, make the following call: `AO_Calibrate` (**deviceNumber**, 2, 1), where **deviceNumber** refers to the device number assigned by the NI-DAQ Configuration Utility. If you need to restore the factory calibration values, load them by calling `AO_Calibrate` (**deviceNumber**, 1, 5). For more information, consult the *NI-DAQ Function Reference Manual*.

Specifications

This appendix lists specifications for 6703/6704 devices. These specifications are valid for an ambient temperature of 0° to 55 °C, unless otherwise stated.

Analog Output

Number of voltage channels	16
Number of current channels for the 6704	16
Resolution	16-bit
Recommended warm-up time	15 minutes

Transfer Characteristics

INL	±1 LSB max
DNL	±1 LSB max
Monotonicity	16 bits, guaranteed

Voltage Output

Range	±10.1 V
Output coupling	DC
Output impedance	0.1 Ω max
Current drive	±10 mA max
Load capacitance	10,000 pF max
Protection	Short-circuit to ground

Absolute accuracy..... ± 1 mV max
 Noise100 μ V rms, DC to 1 MHz
 Power-up stateIndependent, user-defined values

Current Output, 6704 Only

Range0.1 to 20.2 mA
 TypeSource, does not require external
 excitation source
 Output impedance1 G Ω min
 Output compliance0 to 10 V
 Absolute accuracy ± 2 μ A max
 Noise1 μ A rms, DC to 1 MHz
 ProtectionShort-circuit and open circuit
 Power-up stateIndependent, user-defined values

Dynamic Characteristics

Settling time (including channel latency)

Accuracy	Time
$\pm 0.1\%$	1.8 ms typ, 5.6 ms max
$\pm 0.01\%$	3.6 ms typ, 11.2 ms max
$\pm 0.001\%$	14.4 ms typ, 48.8 ms max

Stability

Offset temperature coefficient

Voltage5 μ V/ $^{\circ}$ C
 Current (6704 only)10 nA/ $^{\circ}$ C

Gain temperature coefficient

Voltage 1 ppm/ °C
 Current (6704 only) 2 ppm/ °C

Digital I/O

Number of channels 8 I/O

Compatibility TTL

Power-on state Input (high impedance)

Digital logic levels

Level	Min	Max
Input low voltage	—	0.8 V
Input high voltage	2.0 V	—
Output low voltage	—	0.45 V, $I_{OL} = 16 \text{ mA}$
Output high voltage	2.4 V, $I_{OH} = 16 \text{ mA}$	—
Input leakage current	—	10 μA

Bus Interface

Type Slave

Power Requirement

+5 V

6703 700 mA
 6704 1 A

+12 V 70 mA

-12 V 70 mA



Note These power usage figures do not include the power used by external devices that are connected to the fused supply present on the I/O connector. They assume that all voltage and current outputs are fully loaded.

Physical

Dimensions (not including connectors)

PCI-6703/67049.9 by 17.5 cm (3.9 by 6.9 in.)

PXI-6703/670410 by 16 cm (3.9 by 6.3 in.)

I/O connector68-pin male

Environment

Operating

Temperature0° to 55 °C ambient

Relative humidity5% to 90% noncondensing

Storage

Temperature-20° to 70 °C ambient

Relative humidity5% to 90% noncondensing

Common Questions

This appendix contains commonly asked questions and their answers relating to usage and special features of your 6703/6704 device.

General Information

What if I short-circuit the power supply on the 6703/6704 connector?

Pin 1 of the I/O connector is connected to the +5 V supply from the PCI or PXI bus power supply. This pin is referenced to GND and can be used to power external circuitry. The +5 V supply has a total of 0.75 A available.

This power supply has a self-resetting protection circuit breaker in series. If the circuit breaker protection is activated, simply remove the circuit causing the heavy current load and the circuit breaker will reset itself. For more information on this output pin, see the [Power Requirement](#) section in Appendix A, [Specifications](#).

Installation and Configuration

Which National Instruments document should I read first to get started using DAQ software?

The release notes document for your application or driver software is always the best starting place.

What version of NI-DAQ must I have to program my 6703 device?

You must have NI-DAQ for PC compatibles version 6.6 or higher for your 6703 device.

What version of NI-DAQ must I have to program my 6704 device?

You must have NI-DAQ for PC compatibles version 6.5 or higher for your 6704 device.

What is the best way to test my device without having to program it?

The Measurement and Automation Explorer has a **Test** panel with some excellent tools for doing simple functional tests of the device, such as testing the digital I/O lines. Also, the **Test Configuration** button will verify that the logical address for the device is current.

Timing and Digital I/O

What are the power-on states of the DIO lines on the I/O connector?

At system power-on and reset, all lines are configured as inputs. Refer to the *Digital I/O Control* section in Chapter 4, *Hardware Overview*, for more information.

Analog Output

What are the power-on states of the voltage and current outputs?

At system power-on and reset, all analog outputs are at the values you last saved.

How fast do the 6703 devices scan channels?

The 6703 devices have one 16-bit DAC that is time-division multiplexed to create 16 voltage output and two calibration channels. The channels are scanned at a rate of 50 μ s per channel, thus a channel can change value a maximum of 0.9 ms after it has been updated by software.

How fast do the 6704 devices scan channels?

The 6704 devices have one 16-bit DAC that is time-division multiplexed to create 16 voltage output, 16 current output, and four calibration channels. The channels are scanned at a rate of 50 μ s per channel, thus a channel can change value a maximum of 1.8 ms after it has been updated by software.



Technical Support Resources

National Instruments offers technical support through electronic, fax, and telephone systems. The electronic services include our Web site, an FTP site, and a fax-on-demand system. If you have a hardware or software problem, please first try the electronic support systems. If the information available on these systems does not answer your questions, contact one of our technical support centers, which are staffed by applications engineers, for support by telephone and fax. To comment on the documentation supplied with our products, send e-mail to techpubs@natinst.com.

Web Site

The InstrumentationWeb address is www.natinst.com.

From this Web site you can connect to our Web sites around the world (www.natinst.com/niglobal/) and access technical support (www.natinst.com/support/).

FTP Site

To access our FTP site, log in to our Internet host, [ftp.natinst.com](ftp://ftp.natinst.com), as `anonymous` and use your e-mail address, such as `yourname@anywhere.com`, as your password. The support files and documents are located in the `\support` directories.

Fax-on-Demand Support

Fax-on-Demand is a 24-hour information retrieval system containing a library of documents in English on a wide range of technical information. You can access Fax-on-Demand from a touch-tone telephone at 512 418 1111.

E-Mail Support

You can submit technical support questions to the applications engineering team through e-mail at support@natinst.com. Remember to include your name, address, and phone number so we can contact you with solutions and suggestions.

Telephone and Fax Support

For telephone support in the United States, dial 512 795 8248. For telephone support outside the United States, contact your local branch office:

Australia 03 9879 5166, Austria 0662 45 79 90 0, Belgium 02 757 00 20,
Brazil 011 284 5011, Canada (Ontario) 905 785 0085,
Canada (Québec) 514 694 8521, China 0755 3904939,
Denmark 45 76 26 00, Finland 09 725 725 11, France 01 48 14 24 24,
Germany 089 741 31 30, Hong Kong 2645 3186, India 91805275406,
Israel 03 6120092, Italy 02 413091, Japan 03 5472 2970,
Korea 02 596 7456, Mexico (D.F.) 5 280 7625,
Mexico (Monterrey) 8 357 7695, Netherlands 0348 433466,
Norway 32 27 73 00, Singapore 2265886, Spain (Madrid) 91 640 0085,
Spain (Barcelona) 93 582 0251, Sweden 08 587 895 00,
Switzerland 056 200 51 51, Taiwan 02 2377 1200,
United Kingdom 01635 523545

Glossary

Prefix	Meaning	Value
n-	nano-	10^{-9}
μ -	micro-	10^{-6}
m-	milli-	10^{-3}
k-	kilo-	10^3
M-	mega-	10^6
G-	giga-	10^9

Numbers/Symbols

°	degrees
-	negative of, or minus
Ω	ohms
/	per
%	percent
\pm	plus or minus
+	positive of, or plus

A

A	amperes
A/D	analog-to-digital
ANSI	American National Standards Institute

B

- bit one binary digit, either 0 or 1
- bus the group of conductors that interconnect individual circuitry in a computer. Typically, a bus is the expansion vehicle to which I/O or other devices are connected.

C

- C Celsius
- channel pin or wire lead to which you apply or from which you read the analog or digital signal. Analog signals can be single-ended or differential. For digital signals, you group channels to form ports. Ports usually consist of either four or eight digital channels.

D

- D/A digital-to-analog
- DAC D/A converter
- DAQ data acquisition—(1) collecting and measuring electrical signals from sensors, transducers, and test probes or fixtures and inputting them to a computer for processing; (2) collecting and measuring the same kinds of electrical signals with A/D and/or DIO boards plugged into a computer, and possibly generating control signals with D/A and/or DIO boards in the same computer
- DC direct current
- device (1) a plug-in data acquisition board, card, or pad that can contain multiple channels and conversion devices. Plug-in boards, PCMCIA cards, and devices such as the DAQPad-1200, which connects to your computer parallel port, are all examples of DAQ devices.
- DIO digital input/output

DLL	Dynamic Link Library—A software module in Microsoft Windows containing executable code and data that can be called or used by Windows applications or by other DLLs. Functions and data in a DLL are loaded and linked at run time when they are referenced by a Windows application or other DLLs.
drivers/driver software	software that controls a specific hardware device such as a DAQ board
E	
EEPROM	Electrically Erasable Programmable Read-Only Memory (ROM) that can be erased (usually by ultraviolet light exposure) and reprogrammed
F	
function	a set of software instructions executed by a single line of code that may have input and/or output parameters and returns a value when executed
G	
GND	ground signal or bit
H	
hardware	the physical components of a computer system, such as the circuit boards, plug-in boards, chassis, enclosures, peripherals, cables, and so on
hex	hexadecimal
Hz	hertz—the number of scans read or updates written per second
I	
IC	integrated circuit
in.	inches
INL	Integral Nonlinearity—a measure in LSB of the worst-case deviation from the ideal A/D or D/A transfer characteristic of the analog I/O circuitry

interrupt	a computer signal indicating that the CPU should suspend its current task to service a designated activity
interrupt level	the relative priority at which a device can interrupt
I/O	input/output—the transfer of data to/from a computer system involving communications channels, operator interface devices, and/or data acquisition and control interfaces
I _{OH}	current, output high
I _{OL}	current, output low
K	
KB	kilobytes—1,024 bytes when referring to memory
L	
LED	light-emitting diode
LSB	least significant bit
M	
m	meters
max	maximum
min	minimum
MSB	most significant bit
N	
NC	not connected
NI-DAQ	National Instruments driver software for DAQ hardware

noise an undesirable electrical signal—Noise comes from external sources such as the AC power line, motors, generators, transformers, fluorescent lights, soldering irons, CRT displays, computers, electrical storms, welders, radio transmitters, and internal sources such as semiconductors, resistors, and capacitors. Noise corrupts signals you are trying to send or receive.

nvRAM nonvolatile RAM

O

operating system base-level software that controls a computer, runs programs, interacts with users, and communicates with installed hardware or peripheral devices

P

PC personal computer

port (1) a communications connection on a computer or a remote controller (2) a digital port, consisting of four or eight lines of digital input and/or output

ppm parts per million

R

RAM random access memory

resolution the smallest signal increment that can be detected by a measurement system. Resolution can be expressed in bits, in proportions, or in percent of full scale. For example, a system has 12-bit resolution, one part in 4,096 resolution, and 0.0244% of full scale.

RTSI Real-Time System Integration

S

s seconds

settling time the amount of time required for a voltage to reach its final value within specified limits

slot a position where a module can be inserted into the PCI bus

system RAM RAM installed on a personal computer and used by the operating system, as contrasted with onboard RAM

T

transfer rate the rate, measured in bytes/s, at which data is moved from source to destination after software initialization and set up operations; the maximum rate at which the hardware can operate

TTL transistor-transistor logic

typ typical

U

update the output equivalent of a scan. One or more analog or digital output samples. Typically, the number of output samples in an update is equal to the number of channels in the output group. For example, one pulse from the update clock produces one update which sends one new sample to every analog output channel in the group.

V

V volts

VDC volts direct current

VI Virtual Instrument—(1) a combination of hardware and/or software elements, typically used with a PC, that has the functionality of a classic stand-alone instrument (2) a LabVIEW software module (VI), which consists of a front panel user interface and a block diagram program

W

W watts

Index

Numbers

- +5 V signal
 - description (table), 3-3
 - power connections, 3-7
 - self-resetting protection circuit breaker, 3-7

A

- AGND signal (table), 3-3
- AGND<0/16..15/31> signals (table), 3-3
- analog output signal connections, 3-4 to 3-6
 - common questions, B-2
 - current output for 6704 device, 3-5 to 3-6
 - voltage channel (VCH) outputs (figure), 3-4
 - voltage output, 3-4 to 3-5
- analog output specifications, A-1 to A-3
 - current output, 6704 only, A-2
 - dynamic characteristics, A-2
 - stability, A-2 to A-3
 - transfer characteristics, A-1
 - voltage output, A-1 to A-2

B

- bus interface
 - circuitry, 4-2
 - specifications, A-3

C

- calibration, 5-1 to 5-4
 - current output calibration for 6704, 5-3 to 5-4
 - gain adjustment, 5-4
 - offset adjustment, 5-4

- external calibration, 5-1 to 5-2
 - 6703 calibration channel numbers (table), 5-2
 - 6704 calibration channel numbers (table), 5-2
 - saving calibration values, 5-4
 - self-calibration, 5-1
 - voltage output calibration
 - gain adjustment, 5-3
 - offset adjustment, 5-3
- common questions. *See* questions about PCI/PXI-6703/6704.
- ComponentWorks software, 1-3
- configuration
 - common questions, B-1 to B-2
 - overview, 2-2
- connector. *See* I/O connector.
- conventions used in manual, *iv*
- current output for 6704 device
 - calibration, 5-3 to 5-4
 - gain adjustment, 5-4
 - offset adjustment, 5-4
 - ICH connection as current output (figure), 3-5
 - power-up condition, 3-6
 - signal connections, 3-5 to 3-6
 - specifications, A-2
- custom cabling, 1-5

D

- DGND signal (table), 3-3
- digital I/O
 - common questions, B-2
 - example connections (figure), 3-6
 - hardware overview, 4-2
 - power-up condition, 3-7

- signal connections, 3-6 to 3-7
- specifications, A-3
- DIO<0..7> signals (table), 3-3

E

- e-mail support, C-1
- environment specifications, A-4
- equipment, optional, 1-5

F

- fax and telephone support numbers, C-2
- Fax-on-Demand support, C-1
- frequently asked questions. *See* questions about PCI/PXI-6703/6704.
- FTP support, C-1

G

- gain adjustment
 - current output calibration for 6704, 5-4
 - voltage output calibration, 5-3

H

- hardware
 - configuration, 2-2
 - installation, 2-1 to 2-2
 - overview, 4-1 to 4-2

I

- ICH connection as current output (figure), 3-5
- ICH<16..31> signals (table), 3-3
- installation
 - common questions, B-1
 - hardware, 2-1 to 2-2
 - software, 2-1
 - unpacking the PCI/PXI-6703/6704, 1-2 to 1-3

- I/O connector
 - overview, 4-2
 - pin assignments (figure), 3-2
 - signal connection descriptions (table), 3-3

L

- LabVIEW and LabWindows/CVI software, 1-3

N

- National Instruments application software, 1-3 to 1-4
- NI-DAQ driver software, 1-4
- nonvolatile RAM/DAC control, 4-2

O

- offset adjustment
 - current output calibration for 6704, 5-4
 - voltage output calibration, 5-3
- optional equipment, 1-5

P

- PCI/PXI-6703/6704
 - block diagram, 4-1
 - common questions, B-1 to B-2
 - custom cabling, 1-5
 - features, 1-1 to 1-2
 - hardware overview, 4-1 to 4-2
 - optional equipment, 1-5
 - requirements for getting started, 1-2
 - software programming choices, 1-3 to 1-4
 - National Instruments application software, 1-3 to 1-4
 - NI-DAQ driver software, 1-4
 - unpacking, 1-2 to 1-3
 - physical specifications, A-4
 - pin assignments for I/O connector (figure), 3-2

- power connections, 3-7
- power requirement specifications, A-3 to A-4
- power supply, short-circuiting, B-1
- power-up condition
 - current output for 6704 device, 3-6
 - digital I/O, 3-7
 - voltage output, 3-4

Q

- questions about PCI/PXI-6703/6704,
 - B-1 to B-2
 - analog output, B-2
 - general information, B-1
 - installation and configuration, B-1 to B-2
 - timing and digital I/O, B-2

R

- requirements for getting started, 1-2

S

- self-resetting protection circuit breaker, 3-7
- signal connections, 3-1 to 3-7
 - analog output, 3-4 to 3-6
 - current output for 6704 device, 3-5 to 3-6
 - voltage channel (VCH) outputs (figure), 3-4
 - voltage output, 3-4 to 3-5
 - digital I/O, 3-6 to 3-7
 - I/O connector
 - pin assignments (figure), 3-2
 - signal connection descriptions (table), 3-3
 - power connections, 3-7
- software installation, 2-1
- software programming choices, 1-3 to 1-4
 - National Instruments application software, 1-3 to 1-4

- NI-DAQ driver software, 1-4
- specifications, A-1 to A-4
 - analog output, A-1 to A-3
 - current output, 6704 only, A-2
 - dynamic characteristics, A-2
 - stability, A-2 to A-3
 - transfer characteristics, A-1
 - voltage output, A-1 to A-2
 - bus interface, A-3
 - digital I/O, A-3
 - environment, A-4
 - physical, A-4
 - power requirements, A-3 to A-4

T

- technical support resources, C-1 to C-2
- telephone and fax support numbers, C-2
- temperature sensor, 4-2
- timing, questions about, B-2

U

- unpacking the PCI/PXI-6703/6704, 1-2 to 1-3

V

- VCH connection as voltage output (figure), 3-4
- VCH<0..15> signals (table), 3-3
- VirtualBench software, 1-3
- voltage output, 3-4 to 3-5
 - calibration
 - gain adjustment, 5-3
 - offset adjustment, 5-3
 - power-up condition, 3-4
 - signal connections, 3-4
 - specifications, A-1 to A-2
 - VCH connection as voltage output (figure), 3-4

W

Web site support, C-1